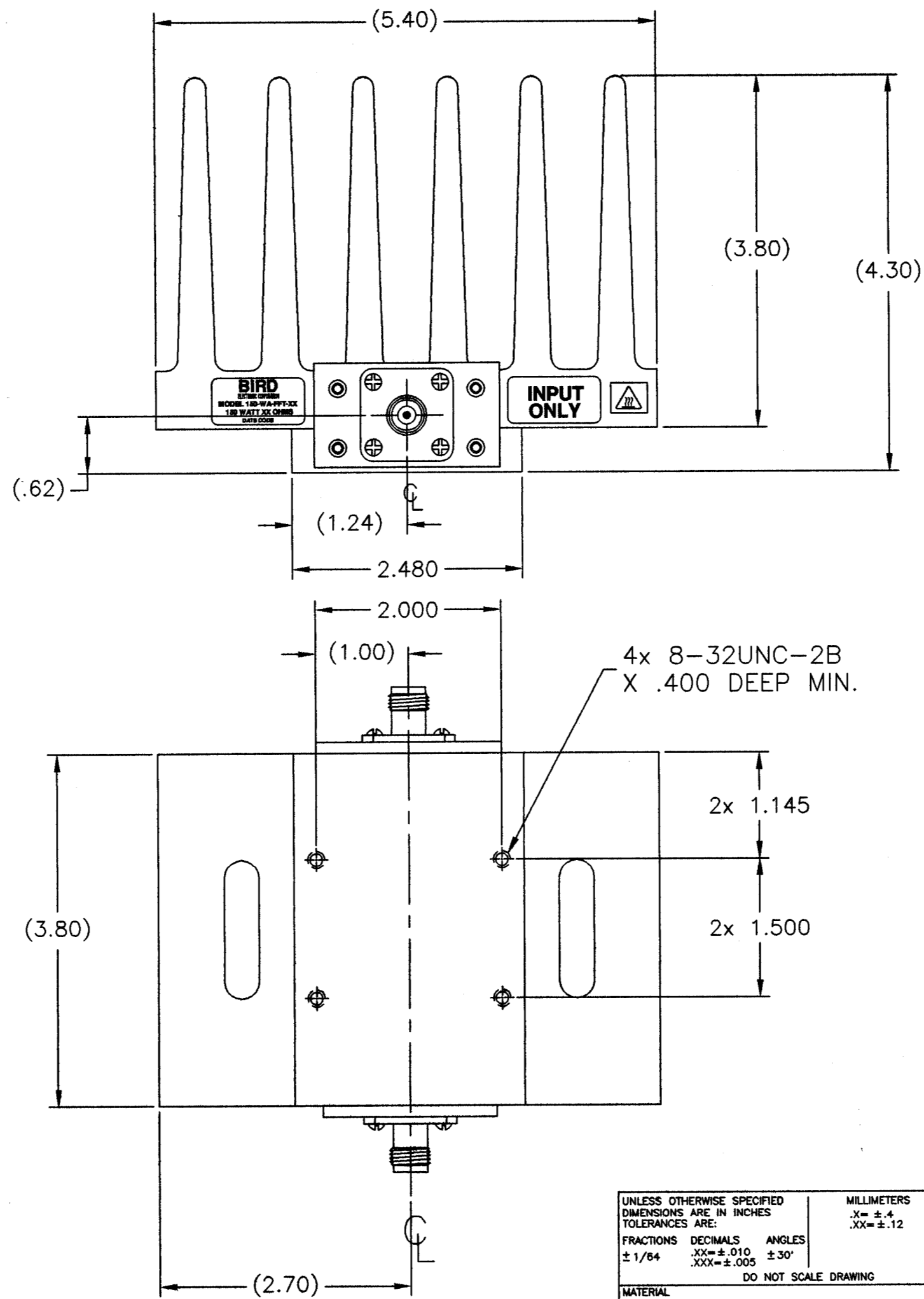


REVISIONS		DWG. NO.	SHEET	REV
ZONE	REV	DESCRIPTION	DATE	APPROVED
	A	NEW DRAWING RELEASE PER DMD DMR	11-3-04	<i>mev</i>

SPECIFICATIONS:

IMPEDANCE: 50 OHMS NOMINAL
 FREQUENCY RANGE: DC TO 2.4GHz
 VSWR: DC TO 1GHz AT 1.10:1 MAX.
 1GHz TO 2.4GHz AT 1.25:1 MAX.
 POWER RATING: 150 WATTS CW (UNI-DIRECTIONAL) AT 25°C AMBIENT
 COOLING FIN: ALUMINUM, BLACK ANODIZED
 COVER: ALUMINUM, BLACK ANODIZED
 CONNECTOR: TNC FEMALE, TRI-ALLOY PLATED
 OPERATING POSITION: HORIZONTAL (FINS UP) OR VERTICALLY
 NOMINAL SIZE: APPROX. 5.25" L X 5.40" W X 4.30" H
 WEIGHT: APPROX. 2.5 LBS



NOTE:

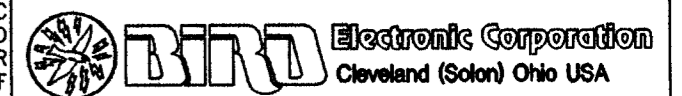
FOR VALUES NOT LISTED, REFER TO THE NEXT HIGHER ATTENUATION LEVEL FOR SPECIFICATIONS. FOR ATTENUATION VALUES GREATER THAN THE HIGHEST LISTED ATTENUATION VALUE, REFER TO THE VALUE 1/2 THE DESIRED ATTENUATION LEVEL, THEN DOUBLE THE LISTED SPECIFICATION VALUES, UNLESS OTHERWISE SPECIFIED.

XX = DASH NUMBER (dB VALUE)

-30	30	±0.8 dB	±1.3 dB
-20	20	±0.5 dB	±1.0 dB
-10	10	±0.4 dB	±0.8 dB
-06	6	±0.4 dB	±0.6 dB
-03	3	±0.3 dB	±0.5 dB
-02	2	±0.3 dB	±0.5 dB
-01	1	±0.3 dB	±0.5 dB
DASH NO.	dB ATTEN.	DC - 1GHz ATTENUATOR	1 - 2.4GHz ACCURACY ±dB

UNLESS OTHERWISE SPECIFIED DIMENSIONS ARE IN INCHES TOLERANCES ARE:
 FRACTIONS DECIMALS ANGLES
 ± 1/8" .XXX ± .010 ± 30°
 .XXX ± .005 ± 30°
 MILLIMETERS
 .X = ± .4
 .XX = ± .12
 DO NOT SCALE DRAWING

THIS DRAWING IS THE PROPERTY OF THE BIRD ELECTRONIC CORPORATION. THE DESIGNS AND SPECIFICATIONS DISCLOSED HEREON ARE PROPRIETARY AND SHALL NOT BE REPRODUCED, NOR COPIED, NOR USED AS THE BASIS FOR THE MANUFACTURE OR SALE OF APPARATUS OR DEVICES WITHOUT THEIR EXPRESS WRITTEN CONSENT.



APPROVALS		DATE	TITLE	
DRAWN	DMD	11-03-04	ATTENUATOR, CONVECTION COOLED TNC FEMALE/FEMALE, 150W	
CHECKED	<i>MARE V</i>	11-03-04	SIZE	FSCM NO. 70998
APPROVED	<i>MARE V</i>	11-03-04	DWG. NO.	150-WA-FFT-XX
FINISH		AUTOCAD	SCALE	1:1
			CONM CODE	AT1
			SHEET	1 OF 1